

DEPTH: 8" - UP TO 2 1/2 STORY
 12" - 3 STORY

WIDTH: SIDING (OR EQUAL)
 - 16" - UP TO 2 1/2 STORY
 - 12" - 3 STORY

BRICK VENEER
 - 16" - 1 STORY
 - 20" - 2 STORY
 - 24" - 3 STORY

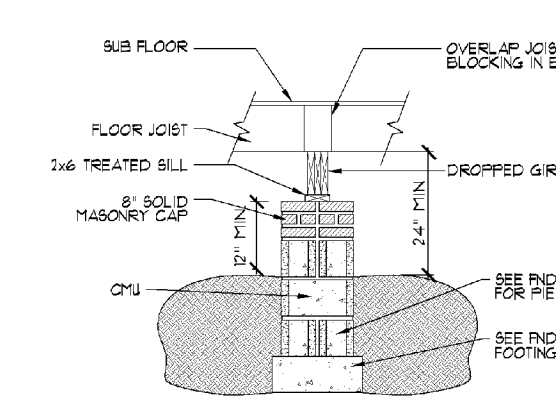
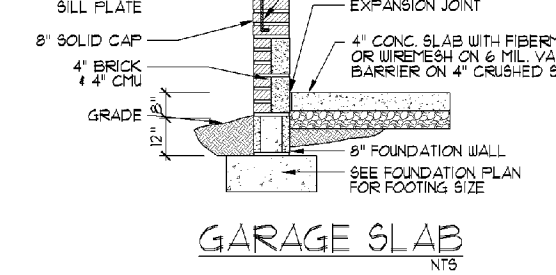
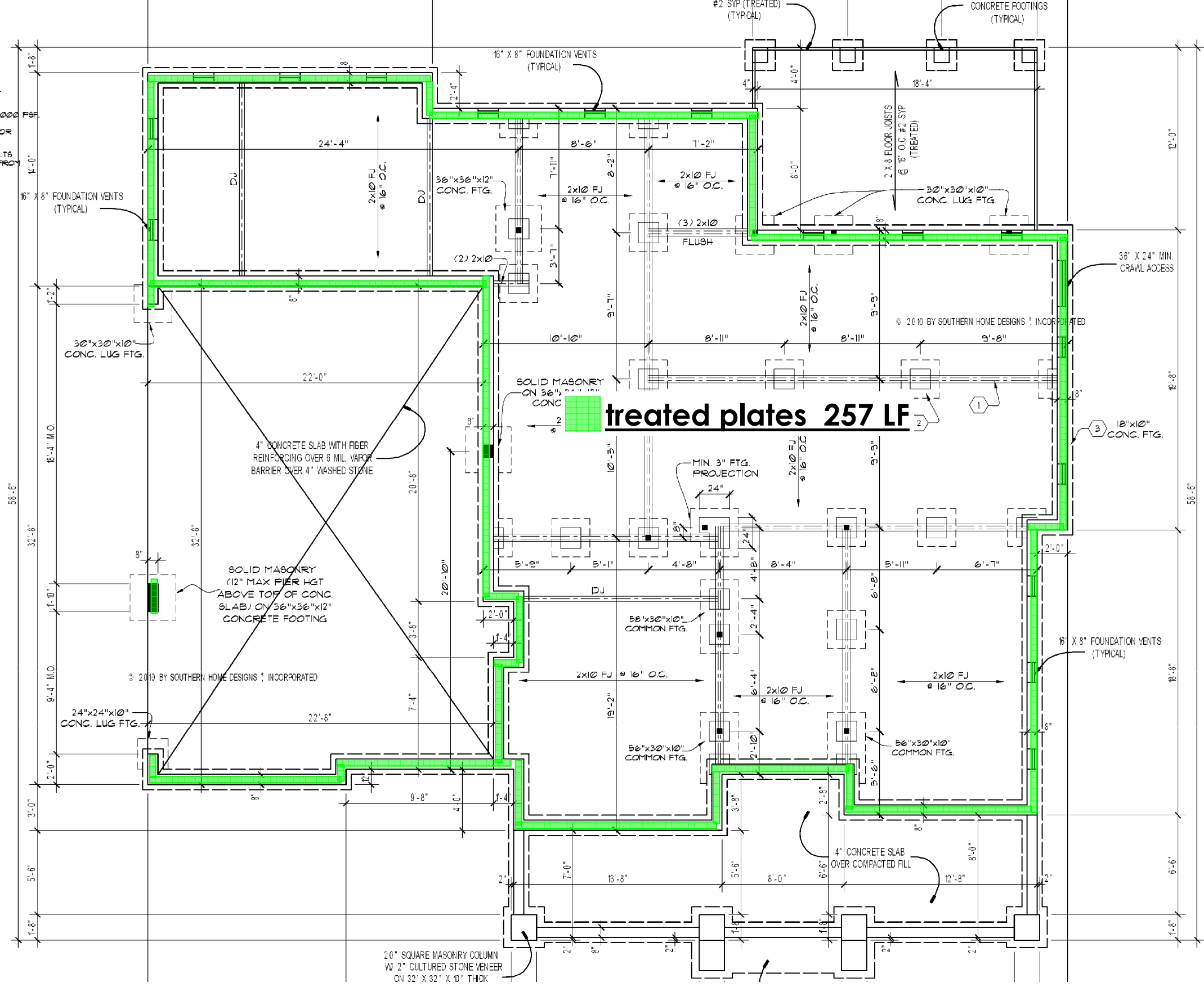
FOR FOUNDATION WALL HEIGHT AND BACKFILL REQUIREMENTS, REFER TO NORTH CAROLINA RESIDENTIAL CODE TABLE R404.1.1 (1 THRU 4). CONTRACTOR MUST VERIFY SITE CONDITIONS AND CONTACT SOILS ENGINEER IF MARGINAL OR UNSTABLE SOILS ARE ENCOUNTERED.

ATTACH SILL PLATE WITH 1/2" dia ANCHOR BOLTS AT 6'-0" CENTERS (1" EMBEDMENT) AND 12" FROM EACH PLATE END. (SECTION R 403.1.6)

4 "■" DESIGNATES A SIGNIFICANT POINT LOAD TO HAVE SOLID BLOCKING TO PIER. SOLID BLOCK ALL BEAM BEARING POINTS NOTED TO HAVE THREE OR MORE STUDS TO END. TYPICAL.

5 ABBREVIATIONS:
 "SJ" = SINGLE JOIST
 "DJ" = DOUBLE JOIST
 "TJ" = TRIPLE JOIST

6 (4) 2 x 10 SPF #2 GIRDER



(3) 12d GALV. NAILS @ 6" O.C. AND 5/8" dia. GALV. BOLTS W/ WASHER @ 20' O.C.
 FOR BRICK VENEER STRUCTURES:
 5/8" dia. GALV. BOLTS W/ WASHER @ 16' O.C.

